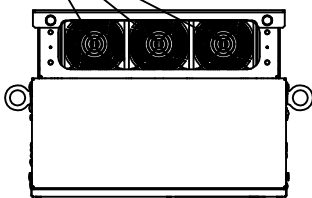
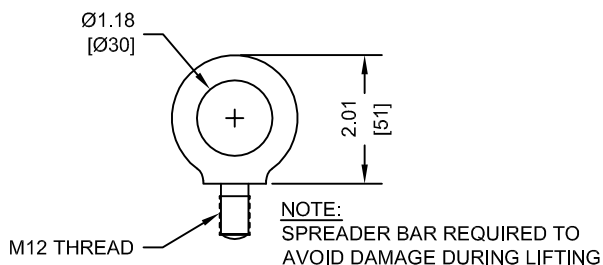


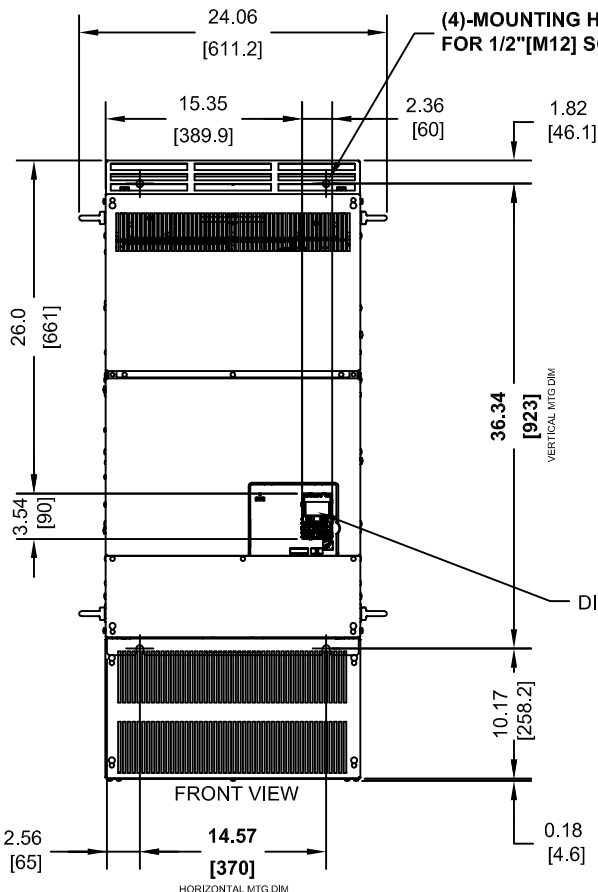
(3) EXTERNAL COOLING FANS



LIFTING AND EYEBOLT DETAILS

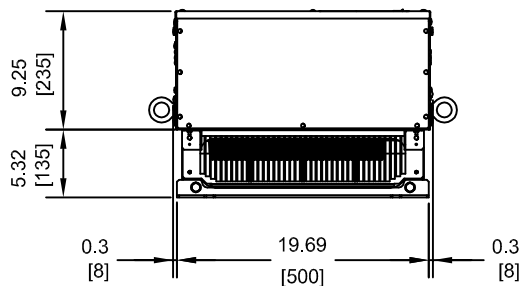
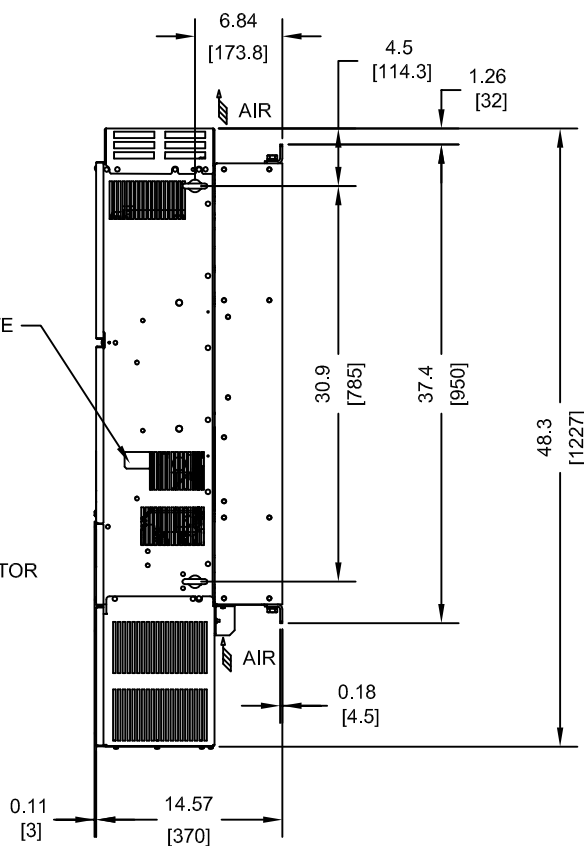


(4)-MOUNTING HOLES FOR 1/2" [M12] SCREWS



NAMEPLATE

DIGITAL OPERATOR



MODEL # CIMR-AU	VOLTAGE THREE-PHASE (VAC)	OUTPUT CURRENT (A)		WEIGHT LBS (Kg)	HEAT LOSS (W)					
					ND (Fc=2kHz)			HD (Fc=5kHz)		
		ND	HD		INT	EXT	TOT	INT	EXT	TOT
4X0414XXX	380/480	414	370	292 (133)	1295	3443	4738	1164	3578	4742

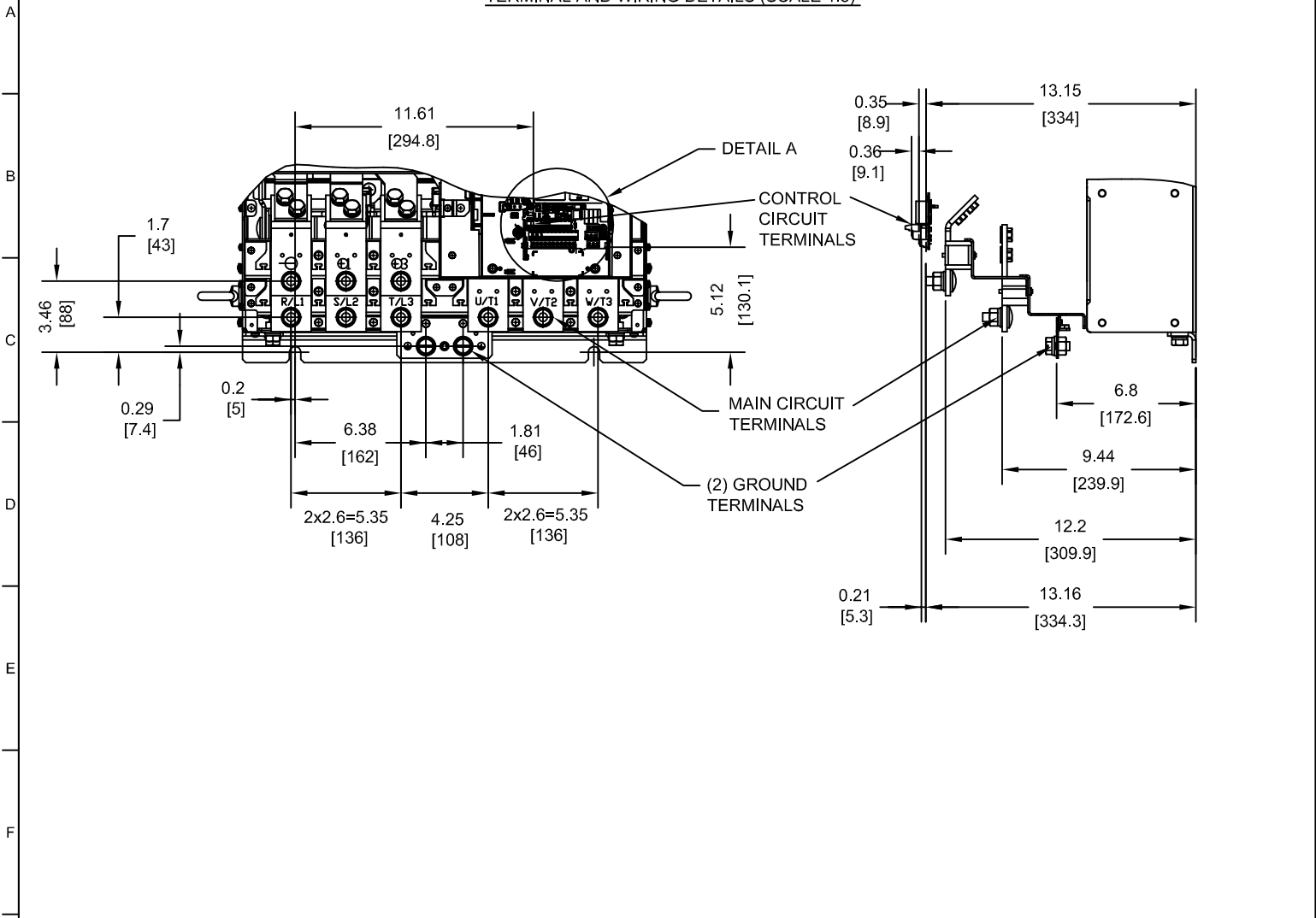
NOTES:
X DENOTES A-Z

INT=INTERNAL COMPONENTS
EXT=EXTERNAL HEATSINK
TOT=TOTAL

FOR ADDITIONAL DETAILS AND SPECIFICATIONS, CONSULT MANUAL

TOLERANCES / REFERENCES:			DRAWN: J. MATTAS DATE: 2-3-11	TITLE: A1000 DIMENSION DRAWING FRAME SIZE 13 NEMA TYPE 1 ENCLOSURE 4X0414		
			CHECKED: J. PIOTROWSKI DATE: 7-25-11			
		TECH: J. SCHULTZ DATE: 7-26-11				
		APPROVED: J. CAIRO DATE: 11-4-11				
		ORIGINAL DESIGN: -				
UNITS: IN [mm]	SCALE: 1:15	THIS DOCUMENT AND INFORMATION CONTAINED IN IT ARE CONFIDENTIAL, AND CANNOT BE COPIED OR DISCLOSED IN WHOLE OR IN PART WITHOUT THE EXPRESS WRITTEN CONSENT OF YASKAWA AMERICA, INC.		SIZE A	REVISION R00	PAGE 1 of 3
				DRAWING #: DD.A1K.FR13.N1		

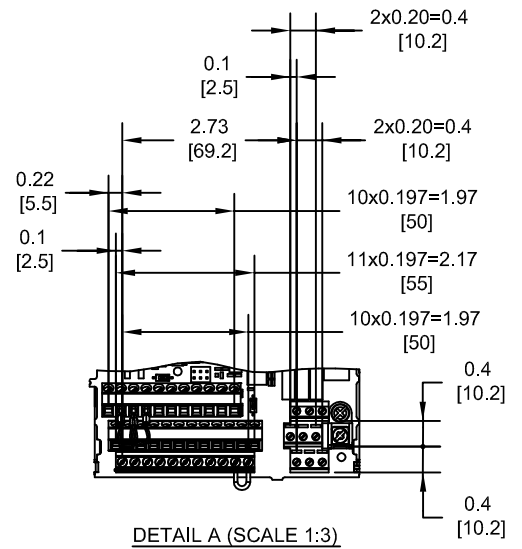
TERMINAL AND WIRING DETAILS (SCALE 1:8)



TERMINAL AND WIRE SPECIFICATIONS FOR MAIN CIRCUIT AND GROUND

MODEL # CIMR-AU	TERMINAL SYMBOL	TERMINAL SCREW	CLAMPING TORQUE lb.in.(N.m.)
4X0414	R/L1, S/L2, T/L3	M12	283.2 TO 354.0 (32 TO 40)
	U/T1, V/T2, W/T3		
	⊖, ⊕1	M12	283.2 TO 354.0 (32 TO 40)
	⊕3		
⊕	M12	283.2 TO 354.0 (32 TO 40)	

NOTE: REFER TO APPLICABLE CODES FOR PROPER WIRE TYPE AND SIZE

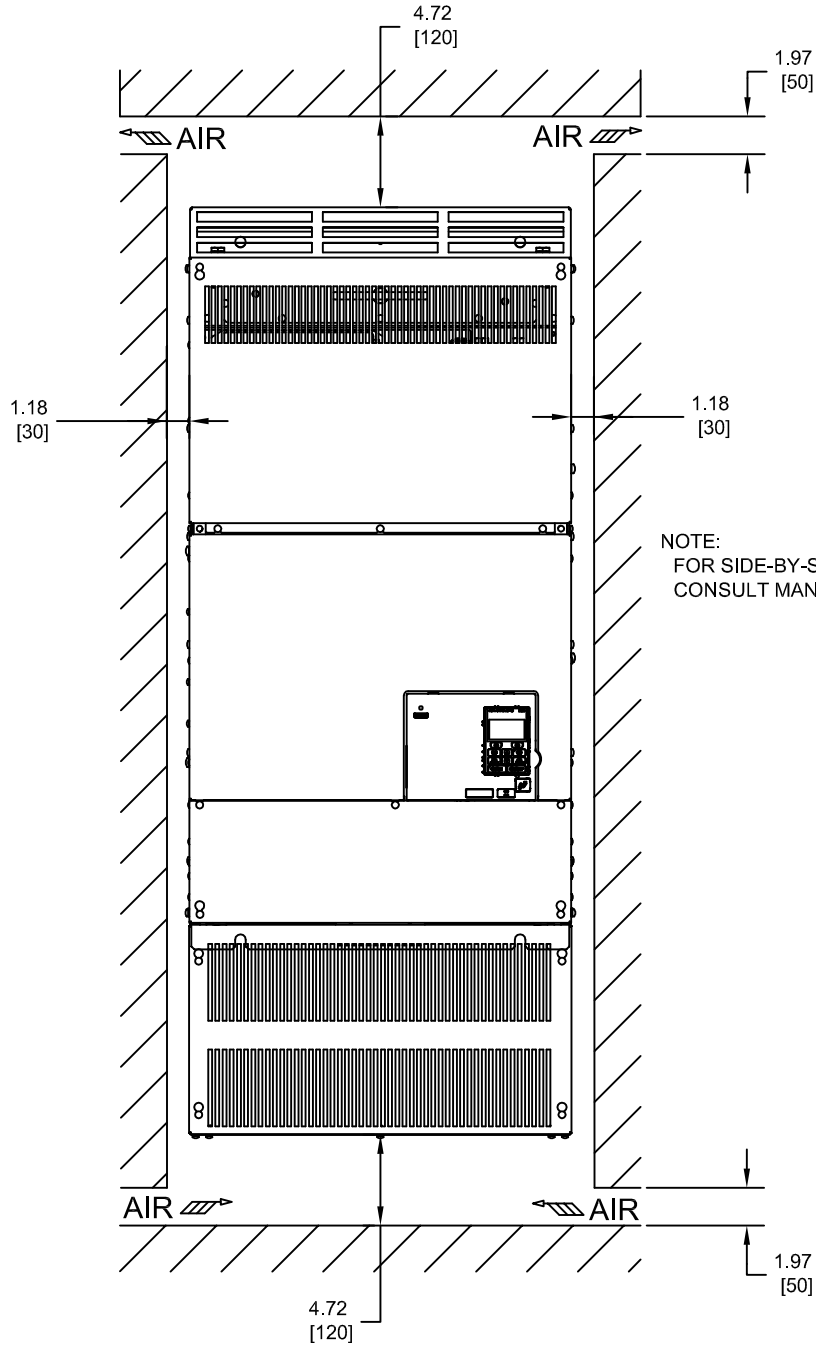


DETAIL A (SCALE 1:3)

FOR ADDITIONAL DETAILS AND SPECIFICATIONS, CONSULT MANUAL

TOLERANCES / REFERENCES:			DRAWN: J. MATTAS DATE: 2-3-11	TITLE: A1000 DIMENSION DRAWING FRAME SIZE 13 NEMA TYPE 1 ENCLOSURE 4X0414		
			CHECKED: J. PIOTROWSKI DATE: 7-25-11	DATE: 7-26-11	REVISION R00	PAGE 2 of 3
		THIS DOCUMENT AND INFORMATION CONTAINED IN IT ARE CONFIDENTIAL, AND CANNOT BE COPIED OR DISCLOSED IN WHOLE OR IN PART WITHOUT THE EXPRESS WRITTEN CONSENT OF YASKAWA AMERICA, INC.	TECH: J. SCHULTZ DATE: 7-26-11	APPROVED: J. CAIRO DATE: 11-4-11	SIZE A	DRAWING #: DD.A1K.FR13.N1
UNITS: IN [mm]	SCALE: BY VIEW		ORIGINAL DESIGN: -	DATE: -		

MINIMUM INSTALLATION CLEARANCES (SCALE 1:10)



NOTE:
FOR SIDE-BY-SIDE MOUNTING
CONSULT MANUAL

FOR ADDITIONAL DETAILS AND SPECIFICATIONS, CONSULT MANUAL

TOLERANCES / REFERENCES:			DRAWN: J. MATTAS DATE: 2-3-11	TITLE: A1000 DIMENSION DRAWING FRAME SIZE 13 NEMA TYPE 1 ENCLOSURE 4X0414	
			CHECKED: J. PIOTROWSKI DATE: 7-25-11	DATE: 7-25-11	REVISION: R00
		THIS DOCUMENT AND INFORMATION CONTAINED IN IT ARE CONFIDENTIAL, AND CANNOT BE COPIED OR DISCLOSED IN WHOLE OR IN PART WITHOUT THE EXPRESS WRITTEN CONSENT OF YASKAWA AMERICA, INC.	TECH: J. SCHULTZ DATE: 7-26-11	DATE: 7-26-11	
UNITS: IN [mm]	SCALE: BY VIEW		APPROVED: J. CAIRO DATE: 11-4-11	DATE: 11-4-11	DRAWING #: DD.A1K.FR13.N1
		ORIGINAL DESIGN: -	DATE: -		